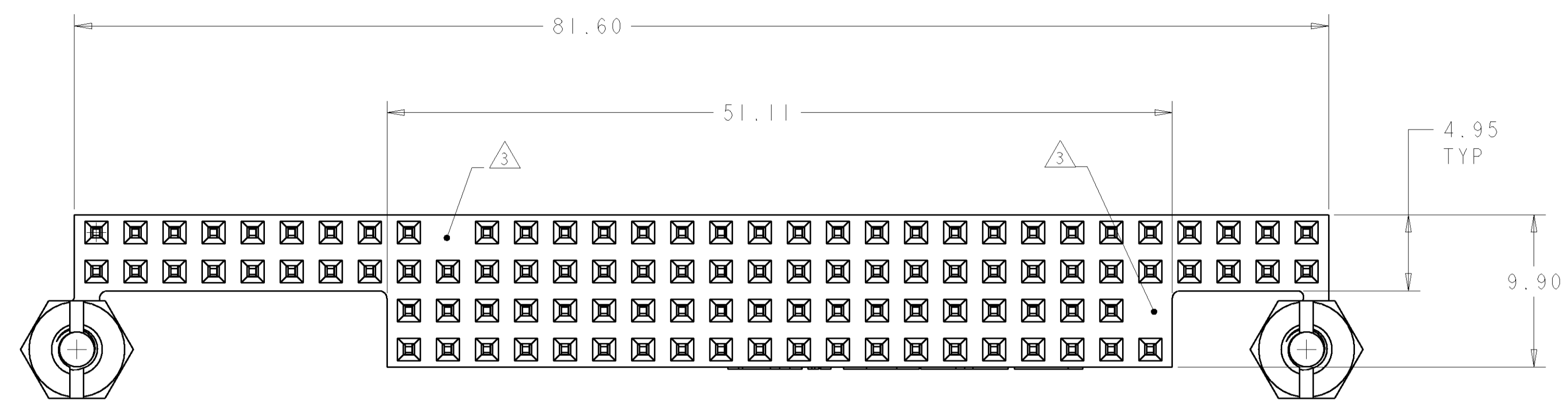
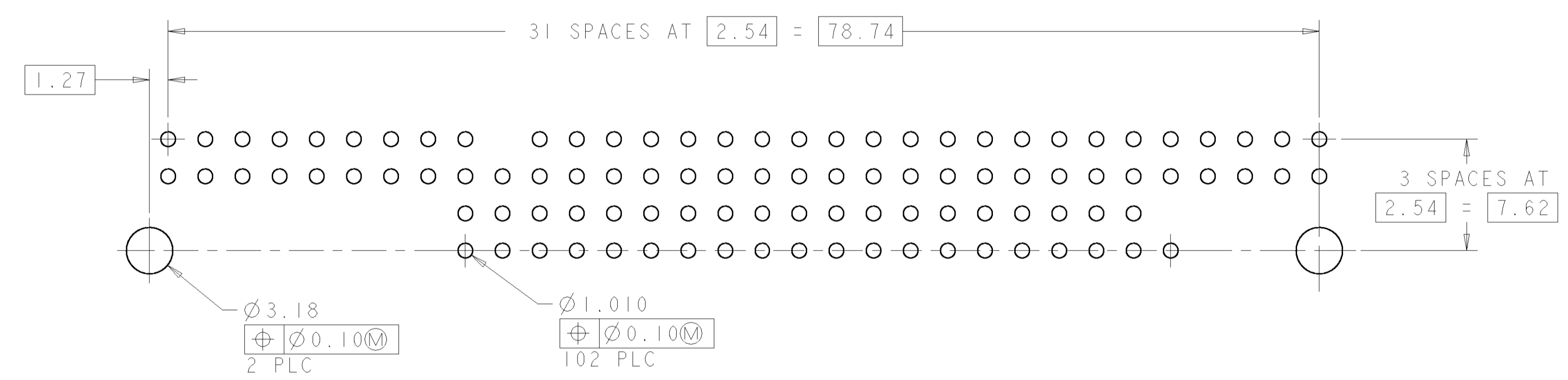
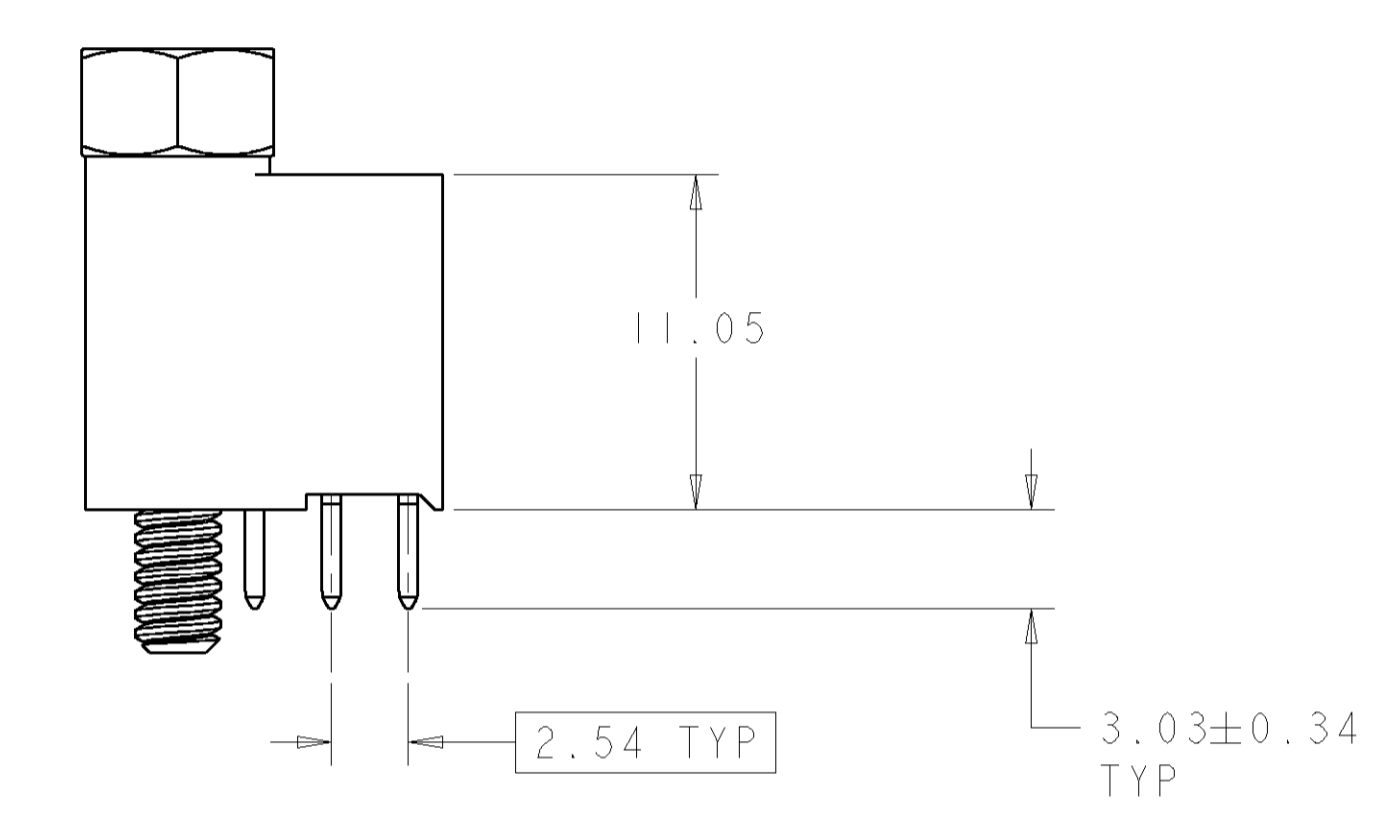
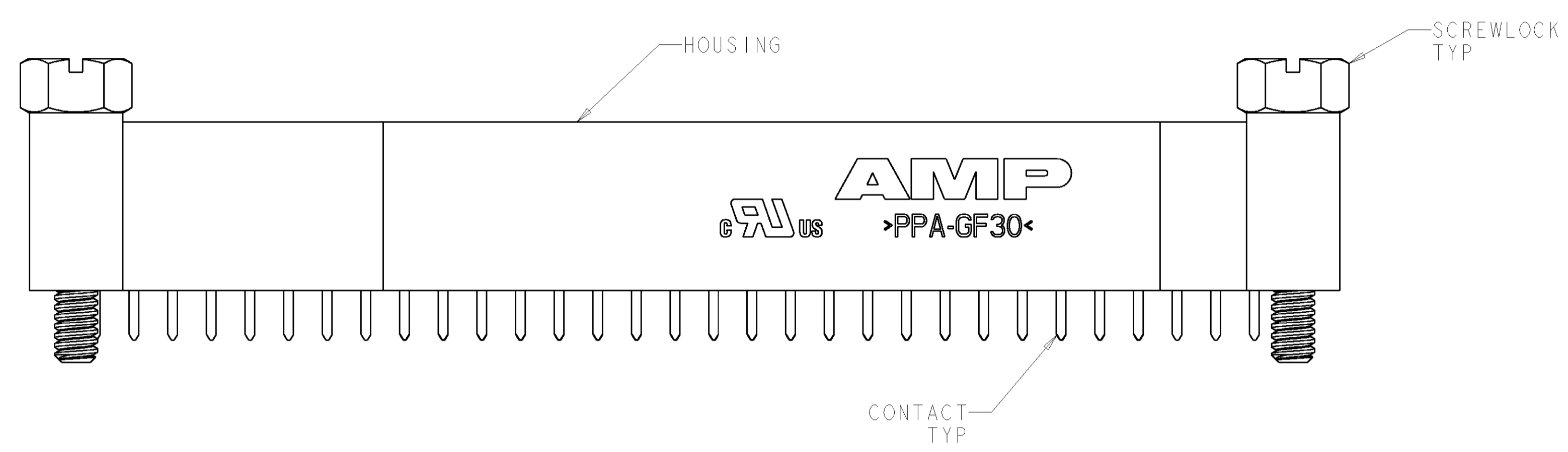


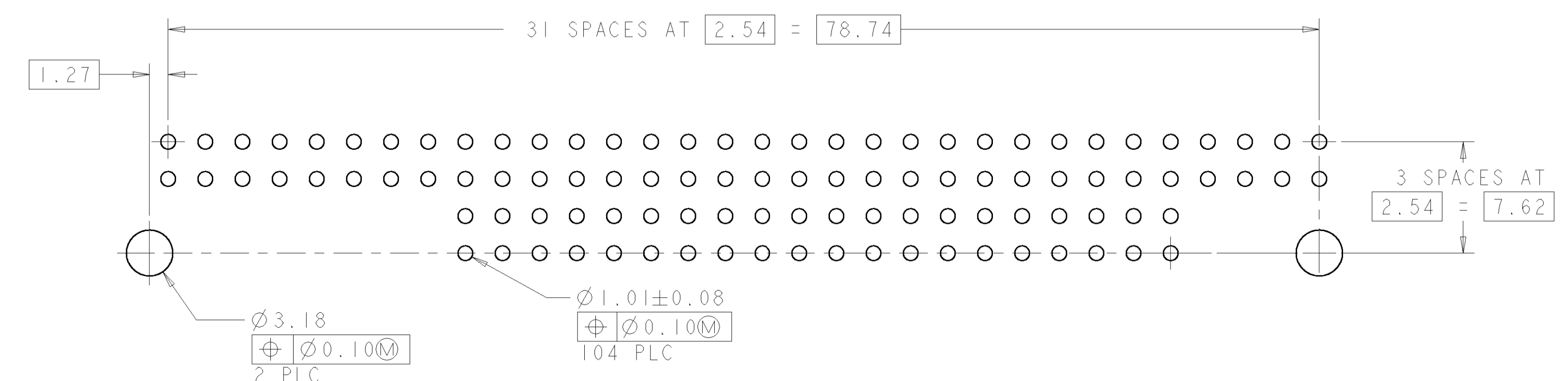
| LOC |    | DIST |     | REVISIONS    |           |     |      |
|-----|----|------|-----|--------------|-----------|-----|------|
| AD  | 00 | P    | LTR | DESCRIPTION  | DATE      | DWN | APVD |
|     |    | D    |     | 063C-0184-05 | 31AUG2005 | RB  | JO   |



- △ HOUSING: HIGH TEMPERATURE, GLASS FILLED NYLON, COLOR- BLACK.  
CONTACTS: PHOSPHOR BRONZE.  
SCREWLOCKS: STEEL.
- △ CONTACTS: 0.000381 MIN GOLD ON MATING RECEPTACLE END,  
0.00254 BRIGHT TIN-LEAD ON REMAINDER, ALL OVER  
0.001270 NICKEL.  
SCREWLOCKS: CLEAR CHROMATE OVER ZINC.
- △ NO CONTACT IN THIS POSITION, FOR PART NUMBER 1375961-1 & -3 ONLY.
- △ CONTACTS: 0.000381 MIN GOLD ON MATING RECEPTACLE END,  
0.00254-0.00508 MATTE TIN ON REMAINDER,  
ALL OVER 0.001270 NICKEL.  
SCREWLOCKS: CLEAR CHROMATE OVER ZINC.
- △ ROHS 2002/95/EC COMPLIANT PART TO BE USED WITH  
ROHS 2002/95/EC COMPLIANT PCB'S.



RECOMMENDED PCB LAYOUT  
FOR 1375961-1 & -3



RECOMMENDED PCB LAYOUT  
FOR 1375961-2 & -4

|    |    |        |                |
|----|----|--------|----------------|
| △5 | △4 | NO     | 1375961-4      |
| △5 | △4 | △3 YES | 1375961-3      |
|    | △2 | NO     | 1375961-2      |
|    | △2 | △3 YES | 1375961-1      |
|    |    | FINISH | KEYED CIRCUITS |
|    |    |        | PART NO        |

| DIMENSIONS: |  | TOLERANCES UNLESS OTHERWISE SPECIFIED: |       | DWN          |           | Tyco Electronics   |  |
|-------------|--|--|-------|--------------|-----------|--|--|
| mm          |  | 0 PLC                                  | ±     | W. G. LENKER | 02JUN2000 | Harrisburg, PA 17105-3608  |  |
|             |  | 1 PLC                                  | ±0.13 | ENR          | TSJAN2001 | AMP  |  |
|             |  | 2 PLC                                  | ±     | L. BREKOSKY  |           | ASSEMBLY, PC/104,<br>NON-STACKTHROUGH CONTACTS,<br>2 STANDOFFS, SOLDER |  |
|             |  | 3 PLC                                  | ±     | APVD         |           | SIZE CAGE CODE DRAWING NO RESTRICTED TO                                |  |
|             |  | 4 PLC                                  | ±     |              |           | A 00779 C=1375961  |  |
|             |  | ANGLES                                 | ±     |              |           | SCALE 4:1 SHEET 1 OF 1 REV D   |  |
|             |  | FINISH                                 | △4 △2 |              |           | CUSTOMER DRAWING   |  |